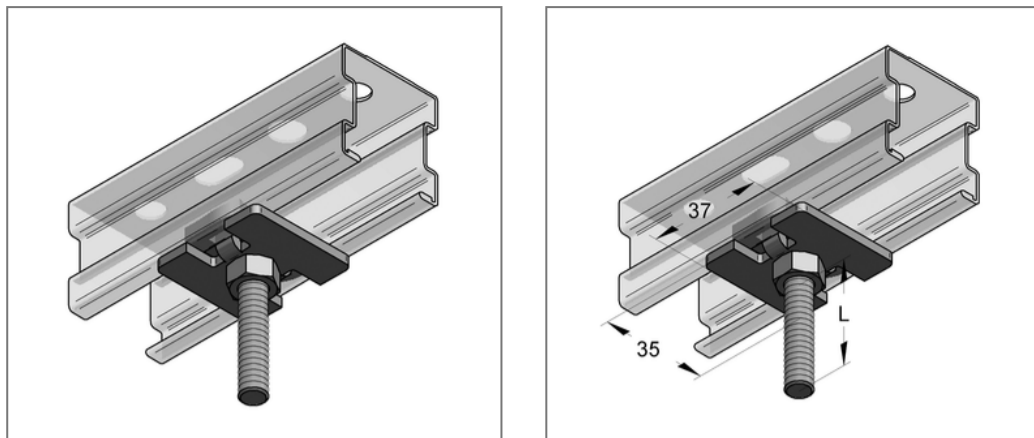


■ Stex threaded bolt 35 M8 x 50 mm



Commercial details

Part no.	127805001
EAN/GTIN	4250928424600
Packing unit	50 pcs
Quantity unit	pcs
Weight	0,0601 kg/pc
Product group	02-127
Price unit	1

QR code



Specification

Application area	quick-fixing system for direct pipe clamp attachment to Stex profile rails with permanently integrated threaded bolt and nut.
------------------	---

Technical data

Material	Steel
Material type	S235
Surface	galvanized

Product details

Thread	M8
Length thread	50 mm
Usable length	36 mm