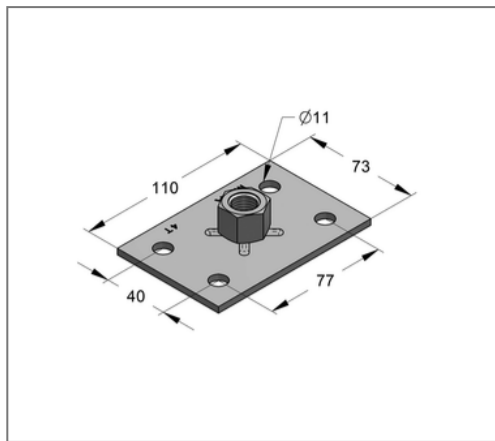
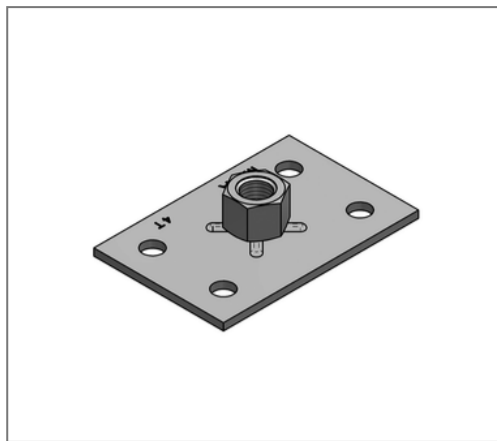


## ■ Base plate Type II Connection M8 Plate 110x73x4 mm



### Commercial details

Part no.	059050701
EAN/GTIN	4250928457837
Packing unit	50 pcs
Quantity unit	pcs
Weight	0,255 kg/pc
Product group	05-059
Price unit	100

### QR code



### Specification

Number of fixing holes	4 pcs
------------------------	-------

### Technical data

Material	Steel
Material type	S235
Surface	galvanized

### Product details

Connection	M8
Length	110 mm
Width	73 mm
Thickness	4 mm
load Fz	3.4 kN
Hole distance lengthwise	77 mm
Hole distance crosswise	40 mm