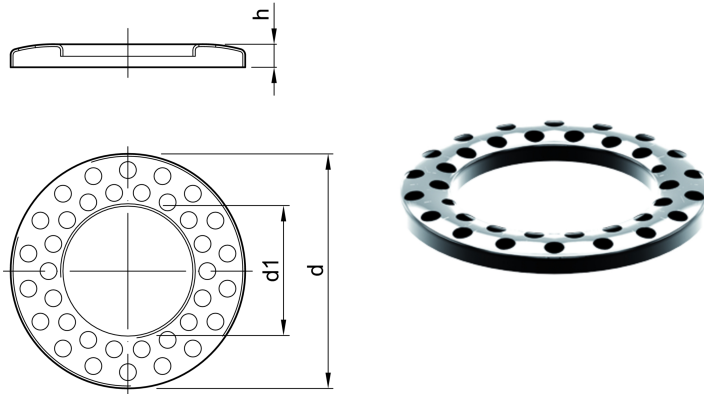


# Ring strainer

## Product information

---



### Used with

- Balcony and terrace gullies
- Direct gully bodies

### Description

- Made of stainless steel
- DN 50
- $h = 9$  mm
- $d = 98$  mm
- $d_1 = 55$  mm