

## Robust fan heater for portable use

Tiger is a range of robust and compact fan heaters for professionals with high demands. The Tiger fan heater is portable. Tiger 2-9 kW are intended for heating and drying areas such as garages, workshops and shops. Tiger 15, 20 and 30 kW are ideal for heating and drying larger premises such as industrial premises and workshops, where higher outputs are required.

### Comfort

Frico's fan heaters are extremely quiet and quickly provide comfortable heating. With a portable fan heater it is easy to move and take the heat where it is required.

### Operation and economy

Frico's fan heaters have a long life and providing fast and effective heating at a low cost. A portable fan heater gives good personal comfort without the need to heat the whole premises, which keeps heating costs to a minimum.

### Design

The Tiger fan heater has a compact and robust sheet steel design with a red finish. The heavy-duty tubular frame acts as a well-balanced and ergonomic carrying handle. The design protects against impact and vibrations and permits use in exacting environments.



### Product specifications

- The Tiger fan heater is available in several designs with output ranging from 2 kW to 30 kW.
- Tiger 2-3 kW (230V~) have a cord with plug for connection to earthed outlet sockets.
- Tiger 3-9 kW (400V3N~) have a 230V-outlet socket at the rear for easy connection of e.g. lighting or a charger for cordless tools.
- Low sound level
- Integrated thermostat with setting range +5 – +35 °C and output selector.
- Very reliable and well protected against impact and vibrations.

## Fan heater Tiger 2-9 (IP44)

Item no	Type	Output steps [kW]	Airflow [m <sup>3</sup> /h]	Sound power* <sup>1</sup> [dB(A)]	Sound pressure* <sup>2</sup> [dB(A)]	Δt* <sup>3</sup> [°C]	Voltage [V]	Amperage [A]	HxWxD [mm]	Weight [kg]
271734	<b>TIG21</b>	0/2	240	47	33	25	230V~	8,1	450x290x390	5,7
271737	<b>TIG31</b>	0/2/3	280	57	42	32	230V~	13	450x290x390	6,0
271738	<b>TIG33</b>	0/1,5/3	280	57	42	32	400V3N~* <sup>4</sup>	4,4	450x290x390	6,3
271742	<b>TIG51</b>	0/3,4/5	480	56	42	32	230V	22	450x290x390	6,7
271743	<b>TIG53</b>	0/2,5/5	480	56	42	32	400V3N~* <sup>4</sup>	7,2	450x290x390	6,7
271748	<b>TIG93</b>	0/4,5/9	720	65	51	38	400V3N~* <sup>4</sup>	13	530x350x480	10

\*<sup>1</sup>) Sound power (L<sub>WA</sub>) measurements according to ISO 27327-2: 2014, Installation type E.

\*<sup>2</sup>) Sound pressure (L<sub>pA</sub>). Conditions: Distance to the unit 3 metres. Directional factor: 2. Equivalent absorption area: 200 m<sup>2</sup>.

\*<sup>3</sup>) Δt = temperature rise of passing air at maximum heat output.

\*<sup>4</sup>) Also available without neutral and are then called TIG33-0, TIG53-0 and TIG93-0. These models do not have the 230V socket on the reverse and are equipped with P416-6 connectors.

Approved for 220V/1ph/60Hz and 380V/3ph/60Hz. Product performance for 220V/1ph/60Hz and 380V/3ph/60Hz will differ from stated data.

## Fan heater Tiger 15 (IP44)

Item no	Type	Output steps [kW]	Airflow [m <sup>3</sup> /h]	Sound power* <sup>1</sup> [dB(A)]	Sound pressure* <sup>2</sup> [dB(A)]	Δt* <sup>3</sup> [°C]	Voltage [V]	Amperage [A]	HxWxD [mm]	Weight [kg]
271752	<b>TIG153-0</b>	0/7,5/15	1120	66	52	41	400V3~	22	510x410x530	16

\*<sup>1</sup>) Sound power (L<sub>WA</sub>) measurements according to ISO 27327-2: 2014, Installation type E.

\*<sup>2</sup>) Sound pressure (L<sub>pA</sub>). Conditions: Distance to the unit 3 metres. Directional factor: 2. Equivalent absorption area: 200 m<sup>2</sup>.

\*<sup>3</sup>) Δt = temperature rise of passing air at maximum heat output.

## Fan heater Tiger 20-30 (IP44)

Item no	Type	Output steps [kW]	Airflow [m <sup>3</sup> /h]	Sound power* <sup>1</sup> [dB(A)]	Sound pressure* <sup>2</sup> [dB(A)]	Δt* <sup>3</sup> [°C]	Voltage [V]	Amperage [A]	HxWxD [mm]	Weight [kg]
271754	<b>TIG203-0</b>	0/10/20	1950/2400	75	54/61	31/26	400V3~	29	590x630x600	26
271758	<b>TIG303-0</b>	0/10/20/30	1950/2400	75	54/61	47/38	400V3~	44	590x630x600	30
3198	<b>P305</b>	0/7,5/15/23 0/10/20/30	1900/2600	75	42/60 47/34	36/26 47/34	440V3~* <sup>4</sup> 500V3~	31 35	590x630x600	30

\*<sup>1</sup>) Sound power (L<sub>WA</sub>) measurements according to ISO 27327-2: 2014, Installation type E.

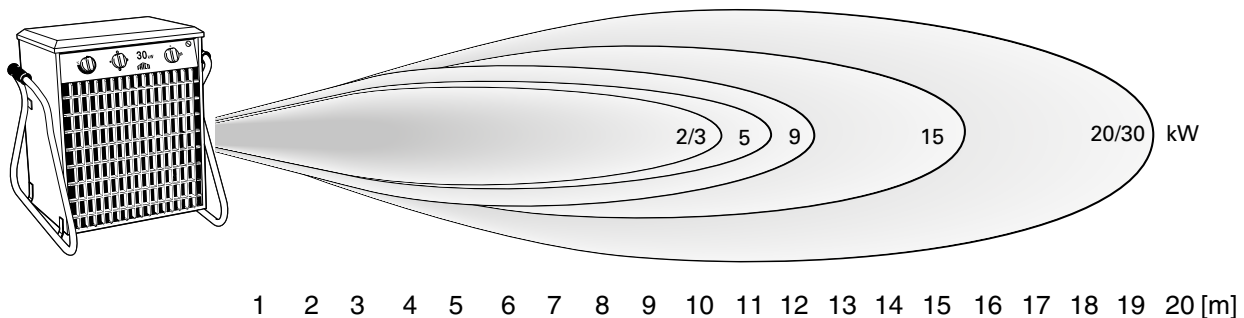
\*<sup>2</sup>) Sound pressure (L<sub>pA</sub>). Conditions: Distance to the unit 3 metres. Directional factor: 2. Equivalent absorption area: 200 m<sup>2</sup>. At lowest/highest airflow.

\*<sup>3</sup>) Δt = temperature rise of passing air at maximum heat output and lowest/highest airflow.

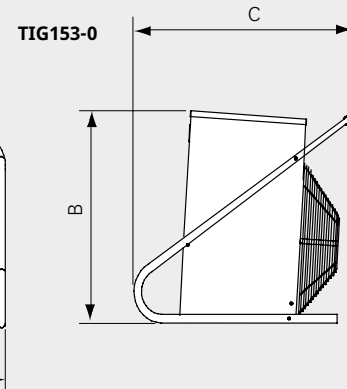
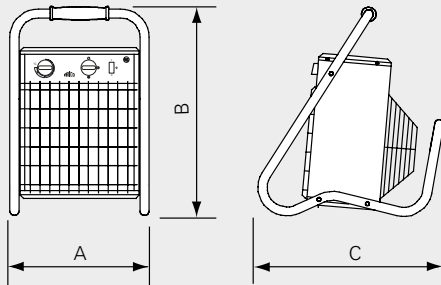
\*<sup>4</sup>) Can be connected to 440V3~ and 500V3~. Approved for 380V/3ph/60Hz. Product performance for 380V/3ph/60Hz will differ from stated data.

Manufactured in Sweden with a corrosion proof housing made of hot zinc-plate and powder coated steel panels. Colour: red, RAL 3020. Colour grille: grey, RAL 7046.

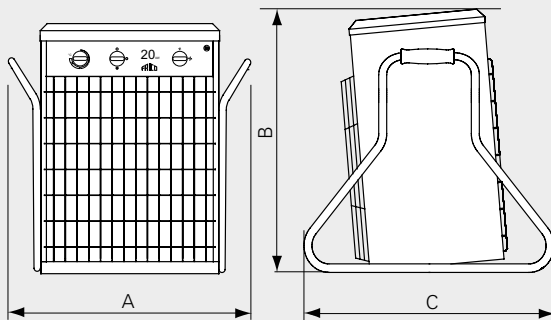
## Air throw



TIG21, TIG31, TIG33, TIG51, TIG53, TIG93



TIG203-0, TIG303-0, P305



	A [mm]	B [mm]	C [mm]
<b>TIG21, TIG31, TIG33, TIG51, TIG53</b>	290	450	390
<b>TIG93</b>	350	530	480
<b>TIG153-0</b>	410	510	530
<b>TIG203-0, TIG303-0 P305</b>	630	590	600



A portable heater is easy to move, quickly providing heat where it is needed. The heavy-duty tubular frame acts as a well-balanced and ergonomic carrying handle.



The robust and portable design combined with an output of 30 kW makes Tiger unbeatable in tough environments with demand for temporary heating.



## Mounting and connection

### Mounting

Tiger is intended for portable use. The 2–15 kW models can easily be hung on the wall to be out of the way when not in use. A wall bracket is available as accessory.

### Connection

The Tiger fan heater is equipped with a 1.8 metre long connection cable.

- TIG21 and TIG31 have cords with plugs for connection to earthed outlet sockets.
- TIG33, TIG53, TIG93, TIG153-0 and TIG203-0 have an IEC60309 plug fitted on the connection cable. There is a 230V-outlet socket of type F at the rear of TIG33, TIG53 and TIG93. The socket gives the possibility to connect, for example, lighting or a charger for cordless tools. Products with 230V-outlet socket of type E are also available for ordering.
- TIG51, TIG303-0 and P305 are supplied with a cable without a plug. P305 can be connected to both 440V3~ and 500V3~.

Type	Plug
<b>TIG21, TIG31</b>	CEE7
<b>TIG33, TIG53, TIG93</b>	CP416-6
<b>TIG153-0, TIG203-0</b>	CP432-6
<b>TIG51, TIG303-0, P305</b>	No plug

For wiring diagrams and other technical information, please see the manual and [www.frigo.net](http://www.frigo.net).

The heavy-duty tubular frame acts as a well-balanced and ergonomic carrying handle.

The 230V-outlet socket at the rear of Tiger 3-9 kW (400V3N~) enables easy connection of e.g. lighting or a charger for cordless tools.

The outlet grill of the Tiger directs the air so that the heat travels further, giving efficient heating even with low air volume.

The motor is protected by the part of the frame which can also be used for wall storage.



The frame ensures that the fan heater can not get too close to a wall and create dangerously high temperatures on the surface.

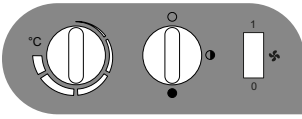
## Tiger

# Control and accessories

### Control

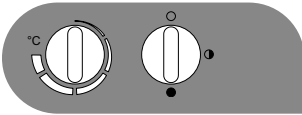
#### Tiger, 2-9 kW

The built-in thermostat controls fan speed and heat, or heat only. The choice is made with the mode selector. When operating with heat only the fan blows constantly and the thermostat only controls the heat output. Thermostat with setting range +5 – +35 °C. Output is set via the output selector.



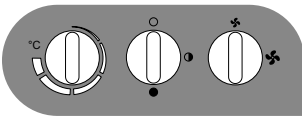
#### Tiger, 15 kW

Built-in thermostat with setting range +5 – +35 °C. Output is set via the output selector.



#### Tiger, 20 and 30 kW

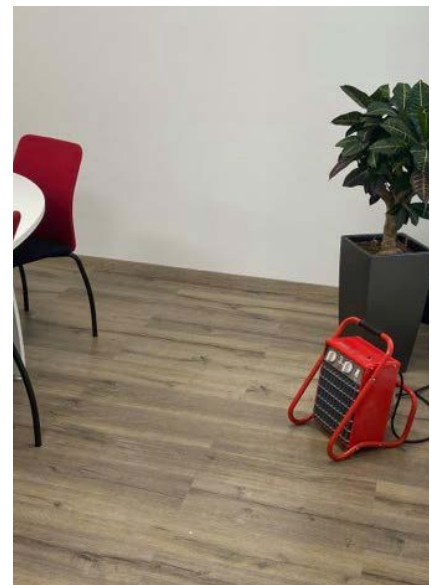
Built-in thermostat with setting range 5–35°C. Output is set via the output selector. The mode selector has two different fan speed positions.



### Accessories



Item number	Type	Description	HxWxD [mm]
220400	LT22406	Wall bracket for storage of Tiger 2-15 kW	45x128x40



The Tiger fan heater is available in several designs with output ranging from 2 kW to 30 kW.