

**TECEdrainline shower channel, straight, with Seal System sealing tape**

Article number: 601200



Nominal length: 1200 mm

Total length L: 1211 mm

Visible dim. after installation: 1151 mm

Width in unfinished state: 150 mm

Visible width

after installation: 71 mm

DU 1: 1 pc.

DU 2: 40 pc.

**Description:**

Straight channel body for installation in the screed, with flange and Seal System sealing tape, for creating an independently tested connection of the TECEdrainline shower channel to the composite seal.

**Consisting of:**

- Channel body with flange made of polished stainless steel, material 1.4301 (304)
- Seal System sealing tape with matting for installation by the customer in the liquid or strip composite seal
- Connecting clips for anchoring in the screed and fitting of optional assembly feet
- Central connection pieces for drain
- Internal incline for improved water drainage and self-cleaning effect
- Seal

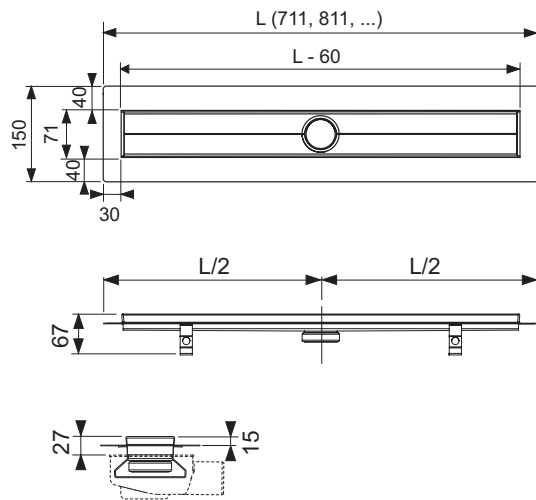
**Sales data:**

Product name: TECEdrainline shower channel, straight, 1200 mm with Seal System sealing tape

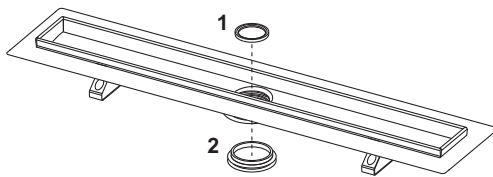
Commodity group: 600

Product group: 3006000010

**Dimensional drawings:**



**Spare parts:**



- |   |        |   |
|---|--------|---|
| 1 | 668012 | Immersion pipe seal                         |
| 2 | 668013 | Seal between channel and outlet, until 2015 |