

**MATERIALS**

BODY: Brass CW617N-UNIEN12165  
 NUT: Brass CW617N-UNIEN12165  
 FASTENER RING + CONICAL SEAL: polyamide + NBR

**ONE COMPONENT ONLY!!**

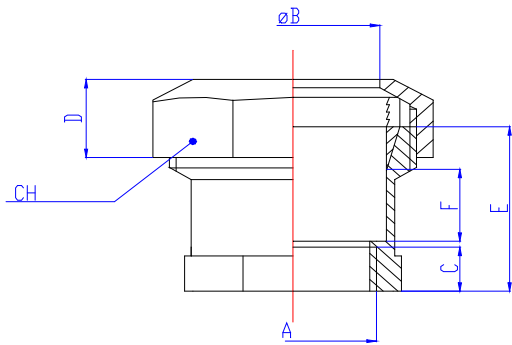
**ART. 4301**  
 Straight male fitting for PE pipe

**QUICK CONNECTION**

Cod.	Misura Size	A	B	C	D	E	F	CH
430102	20	1/2"	21	12,4	17	38	15	34
430104	25	3/4"	26	15	19	45	17	41
430105	25	1"	26	12	19	42	15	41
430106	32	1"	33	17	22	50	17	51
430107	32	1,1/4"	33	17,6	22	52,6	17	51
430108	40	1,1/4"	42	17,6	24	56	22	59
430110	50	1,1/2"	52	19	25,6	64	27	70
430112	63	2"	65	21,2	29,5	73	28	87

TECHNICAL DATA:  
 Max Working pressure: **25 bar**  
 Working temperature: **-15° +110°C**  
 Threads: **UNI ISO 228/1**

**For high and low density PE pipes**  
 Tests conforming to:  
**UNI EN 1254-3:2000 (UNI EN 712, 713, 715)**



**MATERIALS**

BODY: Brass CW617N-UNIEN12165  
 NUT: Brass CW617N-UNIEN12165  
 FASTENER RING + CONICAL SEAL: polyamide + NBR

**ONE COMPONENT ONLY!!**

**ART. 4302**  
 Straight female fitting for PE pipe

**QUICK CONNECTION**

Cod.	Misura Size	A	B	C	D	E	F	CH
430202	20	1/2"	21	11	17	35	14	34
430204	25	3/4"	26	12	19	42	15	41
430206	32	1"	33	13	22	46	17	51
430208	40	1,1/4"	42	15	24	53	22	59
430210	50	1,1/2"	52	15	25,6	56	24	70
430212	63	2"	65	17	29,5	62	24	87

TECHNICAL DATA:  
 Max Working pressure: **25 bar**  
 Working temperature: **-15° +110°C**  
 Threads: **UNI ISO 228/1**

**For high and low density PE pipes**  
 Tests conforming to:  
**UNI EN 1254-3:2000 (UNI EN 712, 713, 715)**