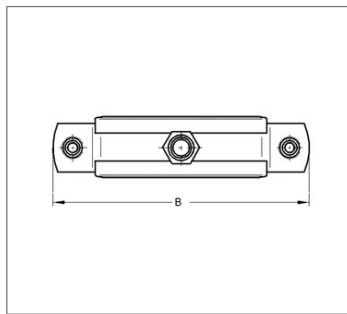
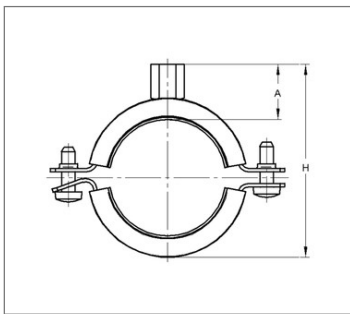


■ Pipe clamp Trabant Inox 20x1 26 - 30 mm M8/M10 TPE



Commercial details

Part no.	051003030
EAN/GTIN	4250928453860
Packing unit	100 pcs
Price unit	100
Quantity unit	pcs
Weight	0,063 kg/pc
Product group	13-051

QR code



Certification



Technical data

Material	Stainless steel
Material type	V4A
Insulation thickness	4.5 mm
Temperature resistance	-35 °C - 100 °C
Sound insulation lining	Rubber TPE

Specification

Application area	Rohrschelle zur Befestigung von Rohren.
Construction method	two-part method
Connection	M8/M10
Closure	Snap-in closure

Product details

Center distance	57 mm
Connection height	22 mm
Width	74 mm
Colour sound insulation lining	black
Height	53 - 58 mm
Material dimension	20x1 mm
max. load	0.4 kN
Clamping range	26 - 30 mm
Outside pipe diameter inch	3/4 inch
Closure screw	M6

Remark

Delivery time	2 working days, ex works
Notice	Other sizes and connection threads on demand.