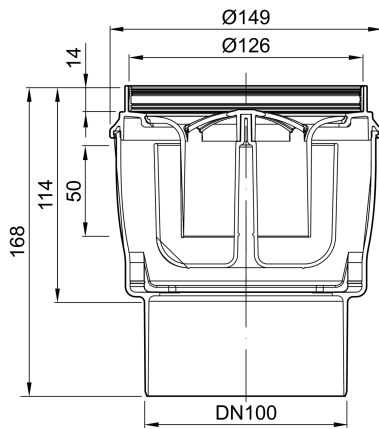



Gully bodies, socket inclination: 90°

Product information for the product group



ACO Product benefits
<ul style="list-style-type: none"> <li>■ Retrofit clamping flange</li> <li>■ Optimum cleaning option</li> <li>■ Adjustable height thin bed seal</li> <li>■ Retrofit fire protection</li> </ul>

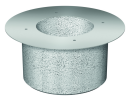
Fire protection
 <p>Fire resistance class R30 – R120 tested according AbZ: Z-19.17-1887</p>

- Gully bodies DN 70/DN 100
- Made of plastic (Polypropylen)
- Tested to DIN EN 1253-1
- With bracket/connecting rim
- With removable foul air trap
- Water trap depth: 50 mm
- With integrated seal to seal the flow gap between gully body and top section
- With protective cover added during installation
- Suitable top sections
  - Standard top sections
  - Top sections for thin bed sealing
  - Top sections for customer choice of surface

Item Technical Data 2810.00.00


Nominal width	Version	Side inlet	Recess [mm]	Description	Flow rate [l/s]	Weight [kg]
DN 100	Standard	Without lateral inlet	200 x 200	<ul style="list-style-type: none"> <li>■ Water trap depth: 50 mm</li> </ul>	1.6	0.6

Accessories

	Description	Weight [kg]	Item number
	<p><b>Fit-in installation set</b></p> <ul style="list-style-type: none"> <li>■ Non-combustible                             <ul style="list-style-type: none"> <li>□ Building material class A1</li> </ul> </li> <li>■ For mortar-free installation in core drills: Ø 225 mm</li> <li>■ Fit-in dimensions                             <ul style="list-style-type: none"> <li>□ Ø: 215 mm</li> <li>□ Height: 139 mm</li> <li>□ German approval AbZ. Z-19.17-2159</li> </ul> </li> </ul>	3.0	<b>9390.08.42</b>



For more information please visit: <https://www.buildingdrainage.aco/products>

	Description	Weight [kg]	Item number
	<p style="text-align: center;"><b>Fire protection set</b></p> <ul style="list-style-type: none"><li>▪ Fire and smoke blocker for subsequent fire protection equipment of Easyflow gully bodies</li><li>▪ Discharge value of the gully body reduces by 0.5 l/s in use</li><li>▪ Water seal height 50 mm</li><li>▪ Consisting of<ul style="list-style-type: none"><li>□ Odour trap with heat shield</li><li>□ Fire protection cartridge</li><li>□ German approval AbZ. Z-19.17-2159</li></ul></li></ul>	0.3	<b>2820.00.00</b>

You can find further accessories under → <https://www.buildingdrainage.aco/suche/?q=2810.00.00>